

Waterway Econo Flo Pumps

Energy efficient... designed with economy and ecology in mind.

The Econo Flo Series of Waterway pumps offers a wide range of technology and performance suited to every pool need. Designed and manufactured in the USA, these pumps feature the quality, reliability and value of the highest American standards. Econo Flo pumps are the right choice for the best in pool efficiency and economy.



Waterway Econo Flo Pumps can save up to 90% on your pump energy cost while keeping your pool water *cleaner, clearer and healthier.*

The most efficient pool pump is the one that **runs smartest** at the minimum speed needed to get a job done. That's exactly what a Waterway Econo Flo Variable Speed pump can do for you, making it **the superior choice** for energy-conscious pool owners.

When using the low speed mode of Waterway Econo Flo Variable Speed pumps, the water moves slower and **reduces the friction** in the system piping. Reduced friction decreases the system back pressure and as a result the **pump motor works less.**

A motor working less uses less energy. That's because it only takes a small amount of energy to keep water moving in a pool after the pump has been started. Remember, the faster you filter your pool the more energy you will use. Filter slowly and for a longer period per day and you can **save up to 90%** on your current electric pool costs while enjoying **cleaner, clearer and healthier pool water.**



Energy efficient... good for you, good for the environment.

Waterway Econo Flo pumps provide savings of money and natural resources for the most efficient performance.

Quality Variable-Speed Pumps designed with economy & ecology in mind.



2200 East Sturgis Road, Oxnard CA 93030
Phone 805.981.0262 • Fax 805.981.9403

waterway@waterwayplastics.com • www.waterwayplastics.com



©2015 Waterway Plastics



807-1021.0615



2.7 HP

FEATURES:

- Provides impressive savings up to 90% on your energy bill. Can save up to \$1,500 per season*
- May be eligible for rebates from your local power utility**
- Pump is pressure testable up to 50 PSI
- User-Friendly programming
- Optional off-board mounting of controls.
- Ability to install and program additional load (booster pump, chlorine generator)
- Display is easy to view in any light
- 2" Swivel Union (included) & 2" FPT
- Super quiet operation with built-in freeze protection
- Adjustable Base (included) – Easy replacement for most brand pumps
- Compliant with all energy legislation. Meets Title 20 & Title 24 regulations

Built-in Programmable User Interface with Timer



* This estimate is based on a 25,000 gallon swimming pool and comparing a traditional single speed pump running 8 hours per day with 1.8 turnover per day with the Waterway Variable Speed pump operating at one turnover per day. Actual saving may vary based on plumbing size and length, hours of operations, local electricity rate, etc.
 ** Visit your local power utility company's website for details on available rebates.

Part #: ECONO-VSA
 Model #: ECONO-VSC



2-Piece Lid Assembly
 for improved access & serviceability!



Both Econo Flo Variable Speed Pumps are Energy Star Approved.

ENERGY STAR is a U.S. Environmental Protection Agency (EPA) voluntary program that helps businesses and individuals save money and protect our climate through superior energy efficiency.

Part #: ECONOVSA-165
 Model #: ECONOVSC-165



1.65 HP

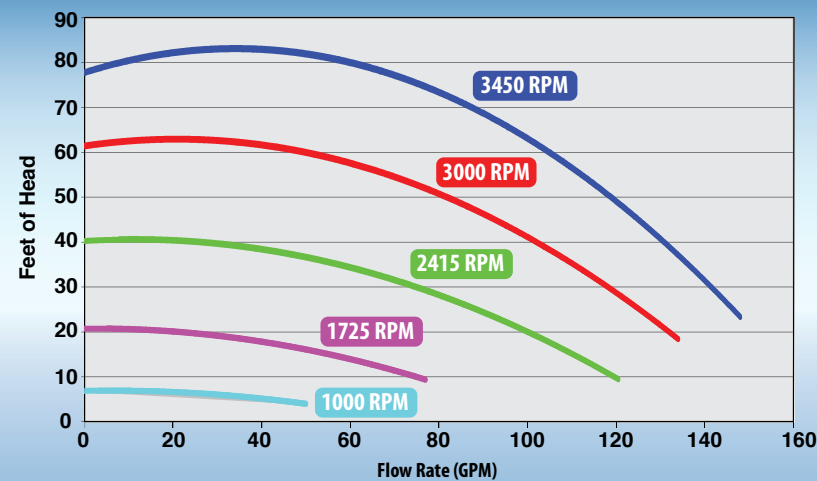
FEATURES:

- Maximum 1.65HP
- Timer Mode
- Full Variable Speed (600-3450 RPM)
- Freeze Protection
- Program Memory Back-up
- Keypad Lockout Feature
- 2" Swivel Union (included) & 2" FPT
- Adjustable Base (included) – Easy replacement for most brand pumps

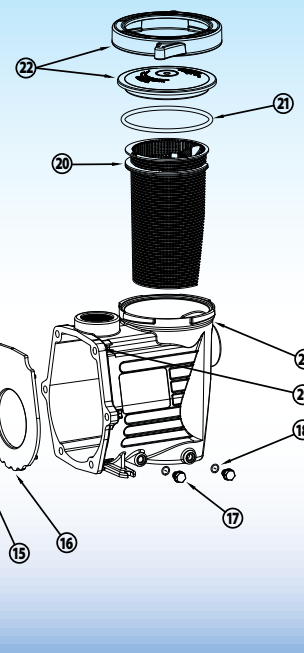
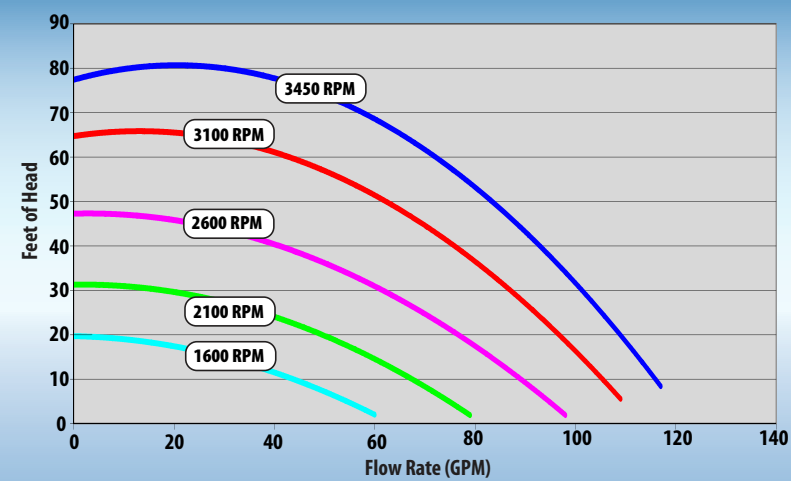
Built-in Programmable User Interface with Timer



Econo Flo Series - 2.7 HP – Performance Curves



Econo Flo Series - 1.65 HP – Performance Curves



- | | |
|----|---|
| 1 | Motor |
| 2 | 819-0035 Bolt .375-16 X .875 Long |
| 3 | 672-1350 Motor Support Supra Max |
| 4 | 319-1500 Motor Base |
| 5 | 819-0013 Screw Slot Hex Washer 1/4" X 1_1/4" |
| 6 | 820-0017 3/8" Flat Washer Type B, Pool Pumps |
| 7 | 319-1700 Handle |
| 8 | 311-1450 Face Plate |
| 9 | 711-1400 Gasket, Face Plate |
| 10 | 319-3100B Pump Seal Set-Viton |
| 11 | 711-4300 Washer, Impeller |
| 12 | 819-4360 Screw Phil. Pan Head Left Hand 1/4-20 X 1" |
| 13 | 310-7470 Diffuser Assy |
| 14 | 819-0018 #4-40 Uncs Bolt Schs |
| 15 | 805-0238 O-Ring-238 |
| 16 | 319-1420 Diffuser Plate |
| 17 | 715-1200 3/8" Quarter Slot Plug (Sd Wet End) |
| 18 | 805-0014 O-Ring, -014 |
| 20 | 319-1430 Basket Assy |
| 21 | 805-0436 O-Ring, 6" Trap Lid |
| 22 | 319-4100 Lid Assembly, 6" Trap |
| 26 | 310-7430 2 HP Full 2.5 HP Upr Impeller Assy |
| 27 | 315-2410 Pump Housing - 2" X 2" Npt |
| 28 | 820-0017-1 3/8" Washer, Split Lock |
| 29 | 820-4280 Brass Insert, 3/8-16 Unc Housing |
| 30 | 819-0016 3/8"-16 X 2" Lg Hex Head |

- | | |
|----|---|
| 1 | Motor |
| 2 | 819-0035 Bolt .375-16 X .875 Long |
| 3 | 672-1350 Motor Support Supra Max |
| 4 | 319-1500 Motor Base |
| 5 | 819-0013 Screw Slot Hex Washer 1/4" X 1_1/4" |
| 6 | 820-0017 3/8" Flat Washer Type B, Pool Pumps |
| 7 | 319-1700 Handle |
| 8 | 311-1450 Face Plate |
| 9 | 711-1400 Gasket, Face Plate |
| 10 | 319-3100B Pump Seal Set-Viton |
| 11 | 711-4300 Washer, Impeller |
| 12 | 819-4360 Screw Phil. Pan Head Left Hand 1/4-20 X 1" |
| 13 | 310-7470 Diffuser Assy |
| 14 | 819-0018 #4-40 Uncs Bolt Schs |
| 15 | 805-0238 O-Ring-238 |
| 16 | 319-1420 Diffuser Plate |
| 17 | 715-1200 3/8" Quarter Slot Plug (Sd Wet End) |
| 18 | 805-0014 O-Ring, -014 |
| 20 | 319-1430 Basket Assy |
| 21 | 805-0436 O-Ring, 6" Trap Lid |
| 22 | 319-4100 Lid Assembly, 6" Trap |
| 26 | 310-7430 2 HP Full 2.5 HP Upr Impeller Assy |
| 27 | 315-2410 Pump Housing - 2" X 2" Npt |
| 28 | 820-0017-1 3/8" Washer, Split Lock |
| 29 | 820-4280 Brass Insert, 3/8-16 Unc Housing |
| 30 | 819-0016 3/8"-16 X 2" Lg Hex Head |

